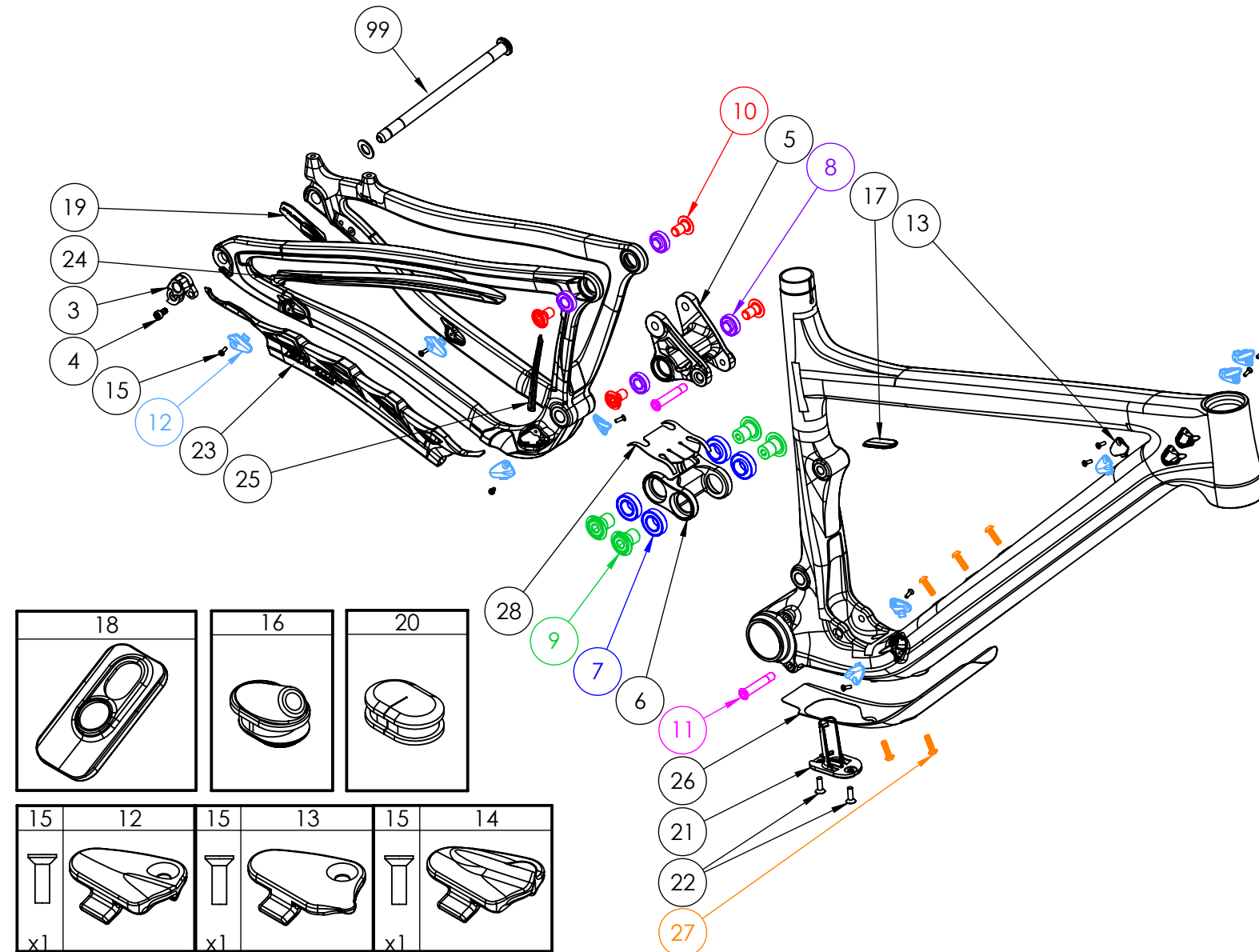


**MACH 4 CARBON SL**

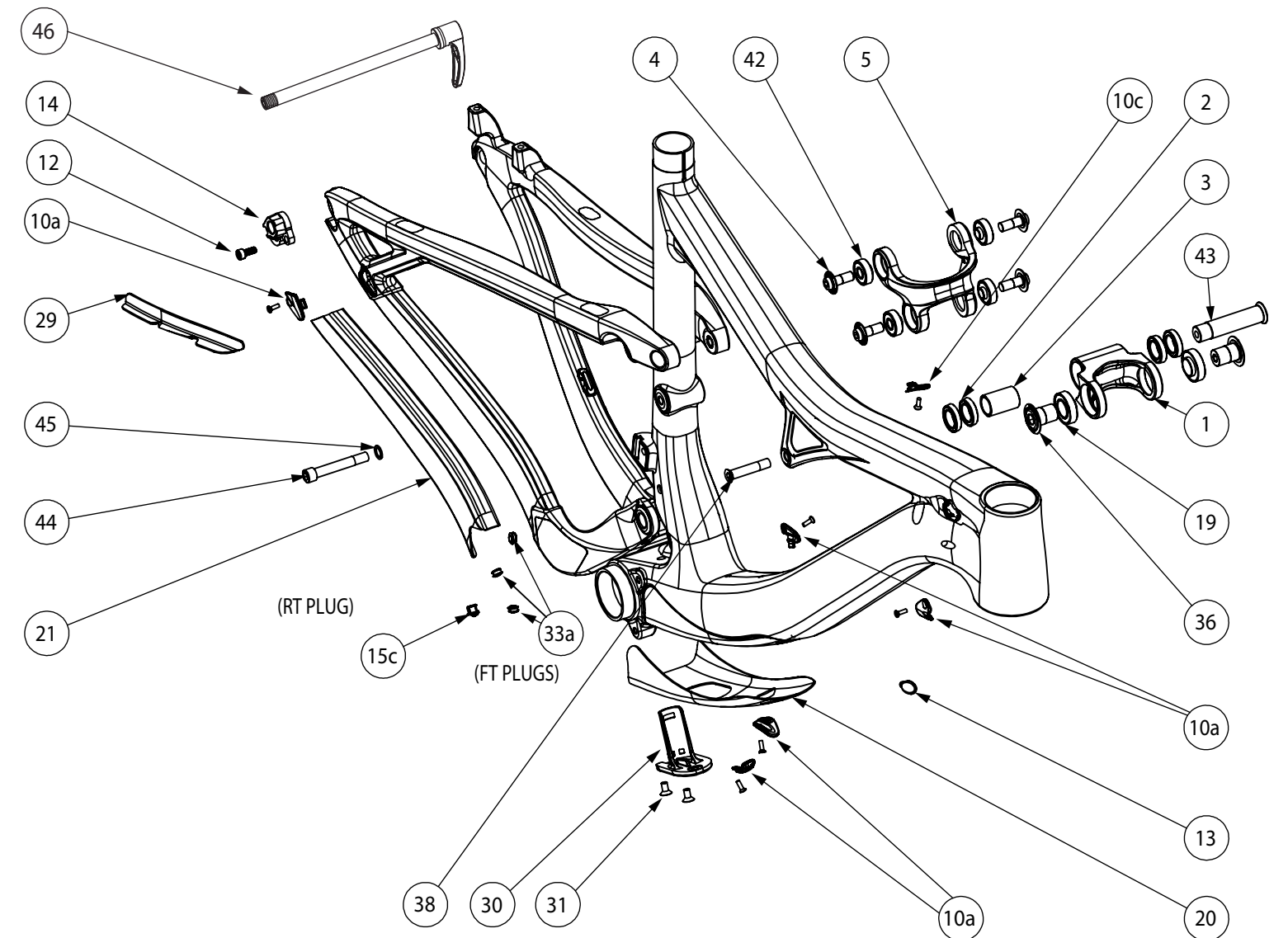
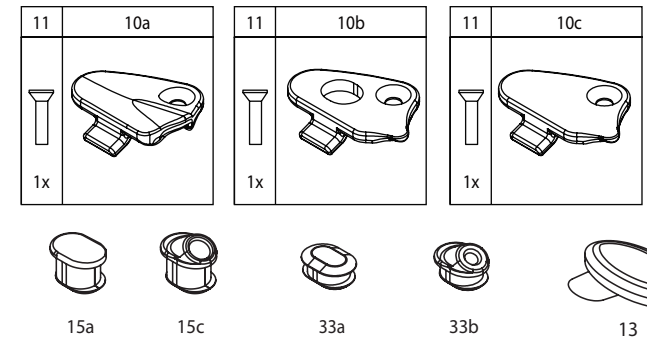
NUMBER	PART NAME	DESCRIPTION	Torque	*
3	FP-RDH-TA-12MM-BLK-V3	Rear Derailleur Hanger 12mm TA		
4	FP-SCW-SCK-M5*10	M5x10 Rear Derailleur Hanger Screw	7 Nm (5 lb-ft)	○
5	FP-LNK-UL-51MM-V1-R1	51mm Upper Link		
6	FP-LNK-LL-BLK-V3-R1	34mm Out-to-Out Lower Link		
7	FP-BRG-6902-LLUMAXECN	28mm 6902 Ext'd Max-E Bearing	**	
8	FP-BRG-6900-LLUMAXE	22mm 6900 Ext'd Max-E Bearing	**	○
9	FP-BLT-M14*20-BLK-V2	M14x20 Lower Link Bolt	35 Nm (27 lb-ft)	□
10	FP-BLT-M10*18-BLK-V1	M10x18 Upper Link Bolt	13 Nm (10 lb-ft)	□
11	FP-BLT-M8*45.7-BLK-V1	M8 Front Shock Bolt for 30.1mm Shock Spacing	13 Nm (10 lb-ft)	●
12	FP-CLM-MECH-FRM-V1	Internal Routing Cable Clamp		
13	FP-CVR-MECH-FRM-V2	Internal Routing Hole Cover		
14	FP-CLM-DUAL-FRM-V1	Internal Routing Dual Clamp		
15	FP-SCW-FLT-M3*10	M3x10 Cable Clamp Screw (Included w/ Clamp)		
16	FP-GDE-DI2-7*8*2.5*2.5	7x8mm Di2 Wire Guide		
17	FP-CVR-FLV-TT-V1-R1	Fox Live Cover Plate		
18	FP-WSH-FLV-CNTRLMT-V1-R1	Fox Live Controller Mount Spacer		
19	FP-CVR-FLV-ACC-V1-R1	Fox Live Accelerometer Cover		
20	FP-PLG-FLV-RL-V1-R1	Fox Remote Lockout Plug		
21	FP-CVR-DI2-DT-V1	Di2 Downtube Battery Holder		
22	FP-SCW-FLT-M5*16	M5x16 Di2 DT Battery Cover Screws (Included with cover)		
23	FP-PRO-4SLV1-CS-V1-R1	Mach 4 Carbon SL Chainstay Protector		
24	FP-PRO-4SLV1-SS-V1-R1	Mach 4 Carbon SL Seatstay Protector		
25	FP-PRO-4SLV1-UR-V1-R1	Mach 4 Carbon SL Upright Protector		
26	FP-PRO-4SLV1-DT-XS-M-V1-R1	Mach 4 Carbon SL Downtube Protector		
26	FP-PRO-4SLV1-DT-L-XL-V1-R1	Mach 4 Carbon SL Downtube Protector		
27	PIVOT WB BOLTS V2	M5x0.8x18 Zinc Plated Steel Water Bottle Bolts		
28	FP-PRO-34MM-LL-V2-R1	34mm Lower Link Protector		
99	157MM THROUGH AXLE V3	12x157mm Thru Axle w/ Washer		○



\*\* See Bearing Assembly Procedure located in the tech specs section at [www.pivotcycles.com](http://www.pivotcycles.com)

\* ○ = grease ● = anti-seize ◉ = anti-seize or grease □ = loctite 243

NUMBER	MACH PART NAME	DESCRIPTION	Torque	*
1	FP-LNK-LL-BLK-V2-R1	LINK LOWER BLACK VER2 REV1		
2	FP-BRG-6802-LLBMAX	6802 LLB MAX		
3	FP-SLV-LL-25MM	SLEEVE LOWER LINK 25MM		
4	FP-BLT-M8*20-BLK	BOLT 8X20 BLACK	13 Nm (10 lb-ft)	●
5	FP-LNK-UL-50MM-V2-R2	LINK UPPER 50MM VER2 REV2		
10a	FP-CLM-MECH-FRM-V1	CLAMP MECHANICAL FRAME		
10b	FP-CLM-DI2-FRM-V1	CLAMP DI2 FRAME		
10c	FP-CVR-MECH-FRM-V2	COVER MECHANICAL FRAME V2		
11	FP-SCW-FLT-M3*10	SCW FLAT 3X10		
12	FP-SCW-SCK-M5*10	SCREW SOCKET 5X10	7 Nm (5 lb-ft)	□
13	FP-PLG-MECH-5.5MM	PLUG MECHANICAL 5.5MM		
14	FP-RDH-TA-12MM-BLK-V1	REAR DERAILLEUR HANGER THROUGH AXLE 12MM BLACK V1		
15a	FP-PLG-DI2-7*8*5	PLUG DI2 7X8X2.5		
15c	FP-GDE-DI2-7*8*5*2.5	GUIDE DI2 7X8X2.5X2.5		
19	FP-BRG-6902-LLUMAXECN	6902 LLU MAX-E CN		
20a	MACH 429 CBN DOWNTUBE GUARD V2	MACH 429 CBN DOWNTUBE GUARD V2		
20b	MACH 429 CBN DT GUARD SMALL V2	MACH 429 CBN DT GUARD SMALL V2		
20c	MACH 429 CBN DT GUARD LARGE V2	MACH 429 CBN DT GUARD LARGE V2		
20d	MACH 429 CBN DT GUARD XL V2	MACH 429 CBN DT GUARD XLARGE V2		
21	MACH 429 CBN CHAINSTAY GUARD	MACH 429 CBN CHAINSTAY GUARD		
29	MACH 429 CBN SEATSTAY GUARD	MACH 429 CBN SEATSTAY GUARD		
30	FP-CVR-DI2-DT-V1	COVER DI2 DOWNTUBE V1		
31	FP-SCW-FLT-M5*10	SCREW FLAT 5x10		
33a	FP-PLG-DI2-7*8*2.5	PLUG DI2 7X8X2.5		
33b	FP-GDE-DI2-7*8*2.5*2.5	GUIDE DI2 7X8X2.5X2.5		
36	FP-BLT-M14*20-BLK-V2	BOLT 14*20 BLACK V2	35 Nm (27 lb-ft)	□
38	FP-BLT-M8*38-BLK	BOLT 8X38 BLACK	13 Nm (10 lb-ft)	●
42	FP-BRG-608-LLUMAXE	608 LLU MAX-E		
43	FP-BLT-M14*66-BLK	BOLT 14X66 BLACK	35 Nm (27 lb-ft)	●
44	FP-BLT-M8*55-BLK	BOLT 8X55 BLACK	13 Nm (10 lb-ft)	●
45	FP-WSH-8I*120*1W	WASHER 8I X 120 X 1W		
46	DT SWISS 142 RWS	DT SWISS 142 RWS		



\* ○ = grease ● = anti-seize ◐ = anti-seize or grease □ = loctite 243