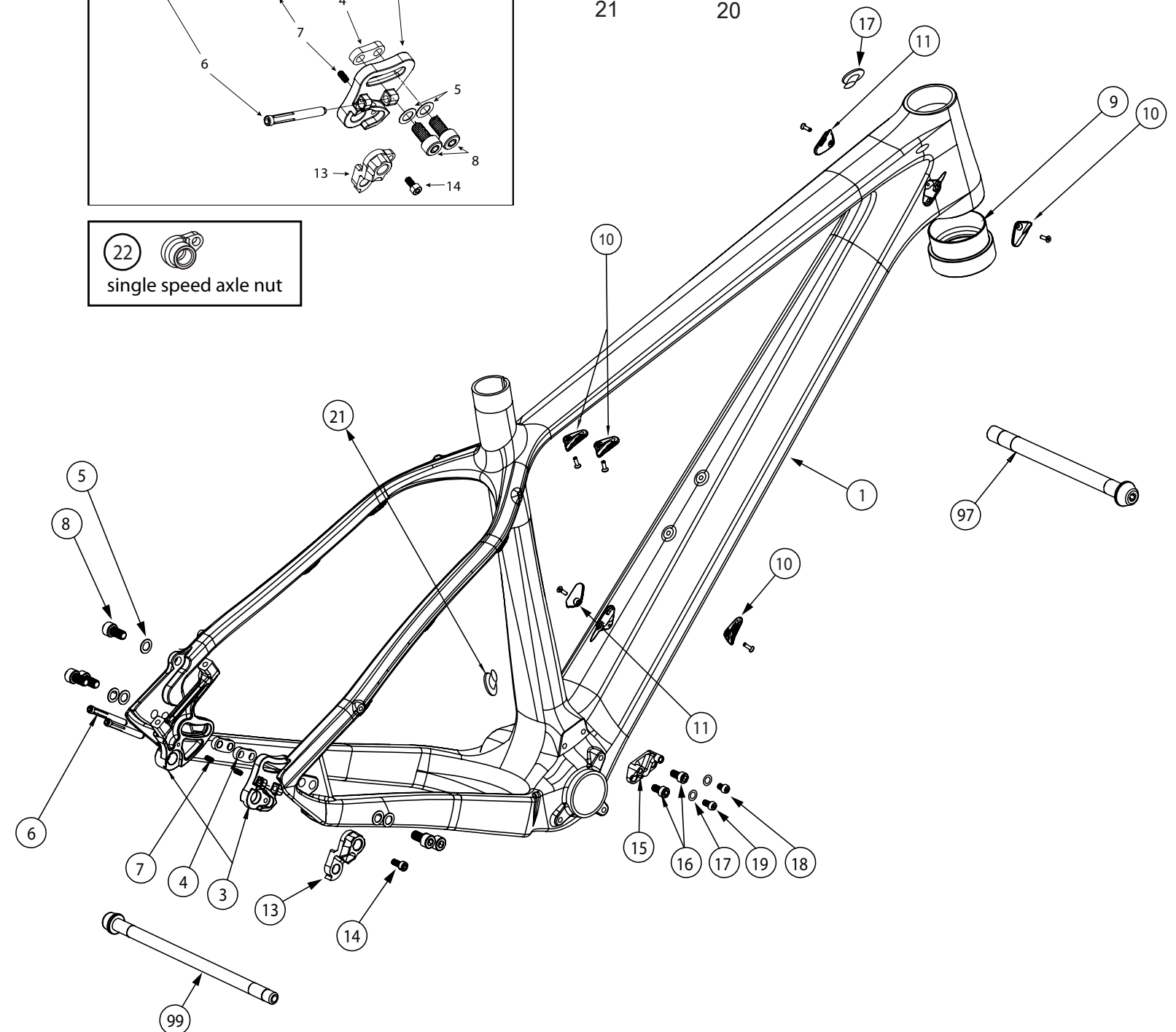
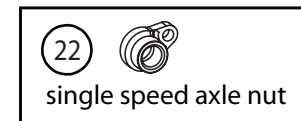
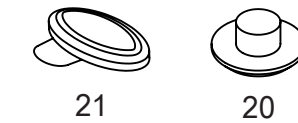
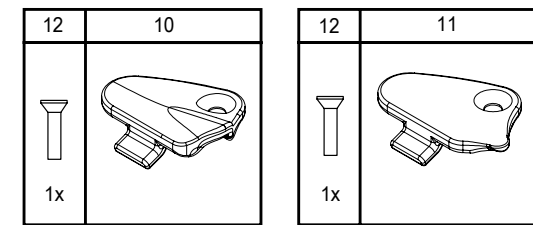
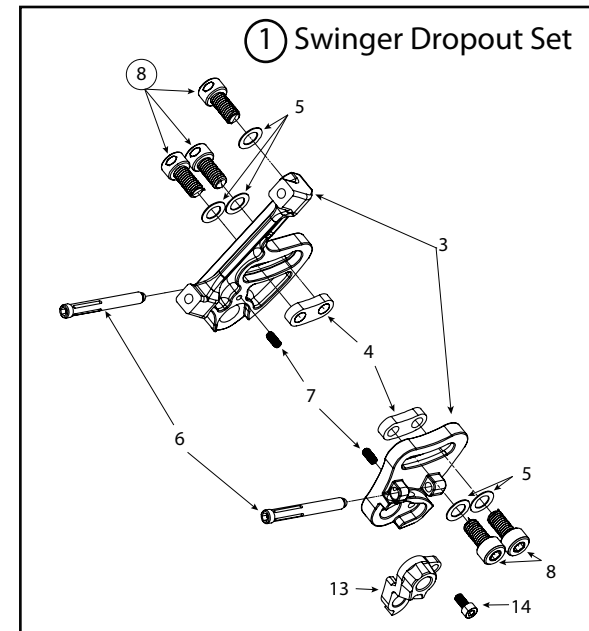


LES FAT

NUMBER	PART NAME	DESCRIPTION	Torque	*
1	FP-DRO-SWINGER-SET-V2-R1	Les Fat Swinger Dropout Set Kit (197mm TA)		
3	FP-DRO-SWINGER-DS/NDS-V2-R1	Les V2 Swinger DS Dropout		
4	FP-NUT-SWINGER-SET-V1-R1	Swinger Position Dropout Locknut Set		
5	FP-WSH-8I*140*1.5W	Les Fat Dropout Washer		
6	FP-SCW-SCK-M6*55	M6x55 Swinger V2 Adjustment Screw		
7	FP-SCW-SET-M4*8	M4x8 Swinger V2 Set Screw (135 QR & 142 TA)		
8	FP-SCW-SCK-M8*18	M8x18 Swinger V2 Locknut Bolt (142 TA)	15 Nm (11 lb-ft)	○
9	FP-HSC-LWR-R1	Les Fat Lower Headset Cup		
10	FP-CLM-MECH-FRM-V1	Internal Routing Cable Clamp		
11	FP-CVR-MECH-FRM-V2	Internal Routing Hole Cover		
12	FP-SCW-FLT-M3*10	M3x10 Cable Clamp Screw (Included w/ Clamp)		
13	FP-RDH-TA-12MM-BLK-V3	Rear Derailleur Hanger 12mm TA		
14	FP-SCW-SCK-M5*10	M5x10 Rear Derailleur Hanger Screw	7 Nm (5 lb-ft)	□
15	FP-FDM-ETYPE-V1-R1	E-type Front Derailleur Mount (Hardtail)		
16	FP-SCW-SCK-M6*12	M6x12 E-type FDM Screw	10 Nm (7 lb-ft)	□
17	FP-WSH-5I*100*1W	M5 E-type FD Mounting Washers		
18	FP-SCW-BTN-M5*10	M5x10 E-type FD Mounting Screw		
19	FP-SCW-BTN-M5*12	M5x12 E-type FD Mounting Screw		
20	FP-PLG-MNT-6MM	6mm Plug for E-type FDM		
21	FP-PLG-MECH-5.5MM	5.5mm Rubber Cable Plug		
22	FP-RDH-NUT-12MM-BLK-V1	Rear Derailleur Hanger SS Nut 12mm TA		
97	150MM TRHOUGH AXLE	150x15mm Front Thru Axle		
99	197MM TRHOUGH AXLE	197x12mm Thru Axle		



* ○ = grease ● = anti-seize ◐ = anti-seize or grease □ = loctite 243