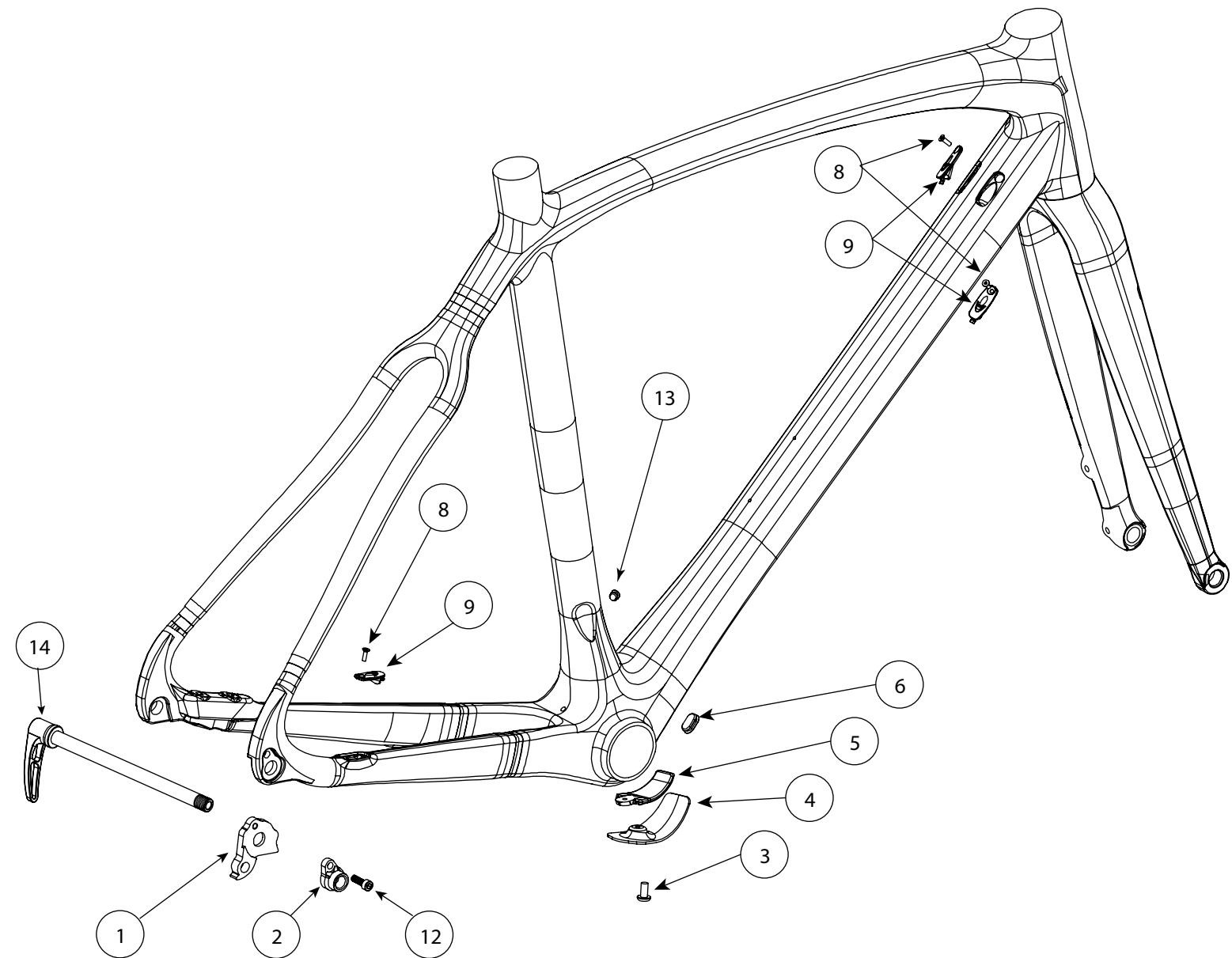
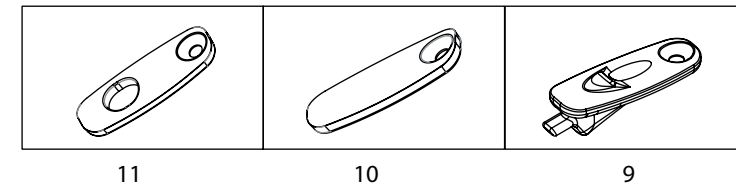


VAULT V2/V3

NUMBER	PART NAME	DESCRIPTION	Torque	*
1	FP-RDH-SET-12MM-BLK-V1	REAR HANGER 142MM SPACING		
2	FP-RDH-NUT-12MM-BLK-V1	PIVOT 12MM NUT/SCREW		
3	FP-SCW-BTN-M5*10	SCREW BUTTON 5X10		
4	FP-CVR-MECH-BB-V1	COVER MECHANICAL BOTTOM BRACKET VER1		
5	FP-GDE-MECH-BB-V2	GUIDE MECHANICAL BOTTOM BRACKET V2		
6	FP-GDE-DI2-7.7*14*2.5	GUIDE DI2 7.7X14X2.5		
8	FP-SCW-FLT-M3*10	SCW FLAT 3X10		
9	FP-STP-SHFT-V2	STOP SHIFTER V2		
10	FP-CVR-MECH-FRM-V1	COVER MECHANICAL FRAME V1		
11	FP-CVR-DI2-FRM-V1	COVER DI2 FRAME V1		
12	FP-SCW-SCK-M5*16	SCREW SOCKET 5X16	7 Nm (5 lb-ft)	□
13	FP-PLG-DI2-7*8*2.5	PLUG DI2 7X8X2.5		
14	DT SWISS 142 RWS	DT SWISS 142 RWS		



* ○ = grease ● = anti-seize ◐ = anti-seize or grease □ = loctite 243