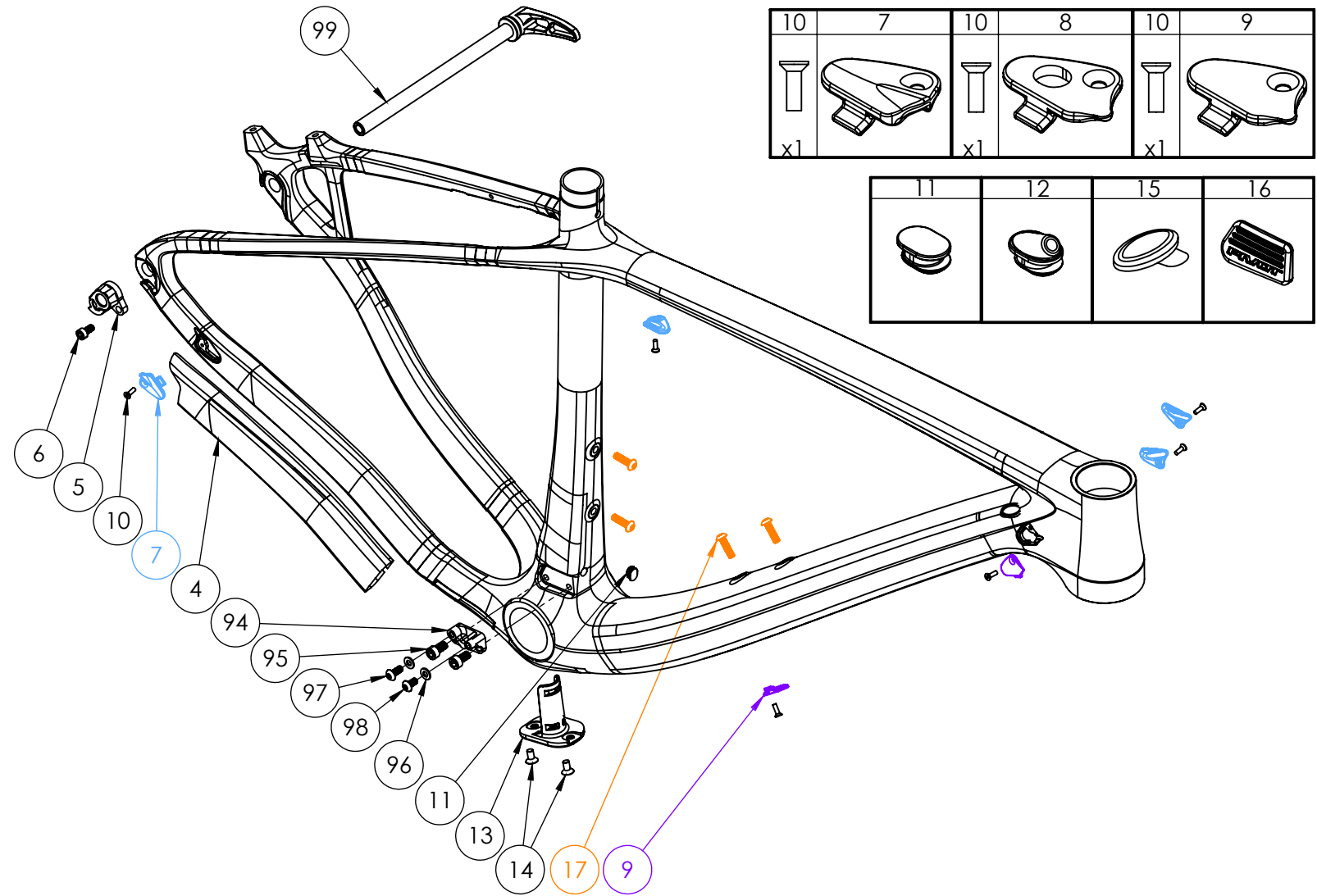


LES29 SL

NUMBER	PART NAME	DESCRIPTION	Torque	*
4	FP-PRO-LESV2-CS-V2-R1	Les V2 Chainstay Protector		
5	FP-RDH-TA-12MM-BLK-V3	Rear Derailleur Hanger 12mm TA		
6	FP-SCW-SCK-M5*10	M5x10 Rear Derailleur Hanger Screw	7 Nm (5 lb-ft)	□
7	FP-CLM-MECH-FRM-V1	Internal Routing Cable Clamp		
8	FP-CLM-DI2-FRM-V1	Internal Routing Di2 Clamp		
9	FP-CVR-MECH-FRM-V2	Internal Routing Hole Cover		
10	FP-SCW-FLT-M3*10	M3x10 Cable Clamp Screw (Included w/ Clamp)		
11	FP-PLG-DI2-7*8*2.5	7x8mm Di2 Plug		
12	FP-GDE-DI2-7*8*2.5*2.5	7x8mm Di2 Wire Guide		
13	FP-CVR-DI2-DT-V1	Di2 Downtube Battery Holder		
14	FP-SCW-FLT-M5*10	M5x10 Di2 DT Battery Cover Screws		
15	FP-PLG-MECH-5.5MM	5.5mm Rubber Cable Plug		
16	FP-CVR-FDM-ETYPE-V1	Front Derailleur Mount Frame Cover		
17	PIVOT WB BOLTS V2	M5x0.8x18 Zinc Plated Steel Water Bottle Bolts		
94	FP-FDM-ETYPE-V1-R1	E-type Front Derailleur Mount (Hardtail)		
95	FP-SCW-SCK-M6*12	M6x12 E-type FDM Screw	10 Nm (7 lb-ft)	□
96	FP-WSH-5I*100*1W	M5 E-type FD Mounting Washers		
97	FP-SCW-BTN-M5*12	M5x12 E-type FD Mounting Screw		
98	FP-SCW-BTN-M5*10	M5x10 E-type FD Mounting Screw		
99	148MM THROUGH AXLE	148x12mm Thru Axle w/ Washer		○



** See Bearing Assembly Procedure located in the tech specs section at www.pivotcycles.com

* ○ = grease ● = anti-seize ◉ = anti-seize or grease □ = loctite 243