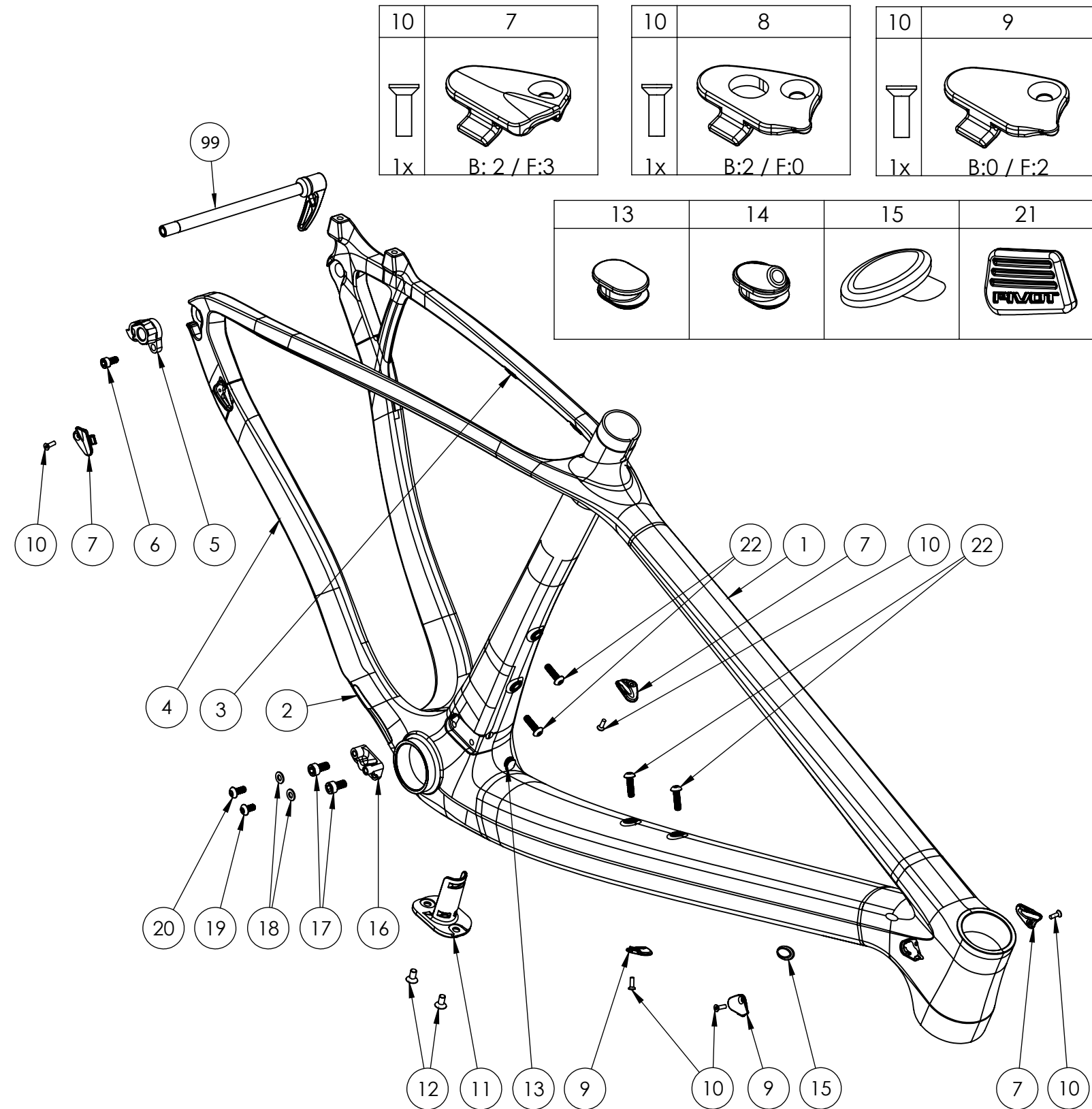


LES 27.5 V2

NUMBER	PART NAME	DESCRIPTION	Torque	*
4	FP-PRO-LES275V2-CS-V2-R1	Les Chainstay Protector		
5	FP-RDH-TA-12MM-BLK-V3	Rear Derailleur Hanger 12mm TA	7 Nm (5 lb-ft)	□
6	FP-SCW-SCK-M5*10	M5x10 Rear Derailleur Hanger Screw		
7	FP-CLM-MECH-FRM-V1	Internal Routing Cable Clamp		
8	FP-CLM-DI2-FRM-V1	Internal Routing Di2 Clamp		
9	FP-CVR-MECH-FRM-V2	Internal Routing Hole Cover		
10	FP-SCW-FLT-M3*10	M3x10 Cable Clamp Screw (Included w/ Clamp)		
11	FP-CVR-DI2-DT-V1	Di2 Downtube Battery Holder		
12	FP-SCW-FLT-M5*10	M5x10 Di2 DT Battery Cover Screws (Included with cover)		
13	FP-PLG-DI2-7*8*2.5	7x8mm Di2 Plug		
14	FP-GDE-DI2-7*8*2.5*2.5	7x8mm Di2 Wire Guide		
15	FP-PLG-MECH-5.5MM	5.5mm Rubber Cable Plug		
16	FP-FDM-ETYPE-V1-R1	E-type Front Derailleur Mount (Hardtail)		
17	FP-SCW-SCK-M6*12	M6x12 E-type FDM Screw	10 Nm (7 lb-ft)	□
18	FP-WSH-5I*100*1W	M5 E-type FD Mounting Washers		
19	FP-SCW-BTN-M5*10	M5x10 E-type FD Mounting Screw	3 Nm (26 in-lb)	□
20	FP-SCW-BTN-M5*12	M5x12 E-type FD Mounting Screw	3 Nm (26 in-lb)	□
21	FP-CVR-FDM-ETYPE-V1	Front Derailleur Mount Frame Cover		
22	PIVOT WB BOLTS V2	M5x0.8x18 Zinc Plated Steel Water Bottle Bolts		
99	148MM THROUGH AXLE	148x12mm RWS Thru Axle		



* ○ = grease ● = anti-seize ◐ = anti-seize or grease □ = loctite 243