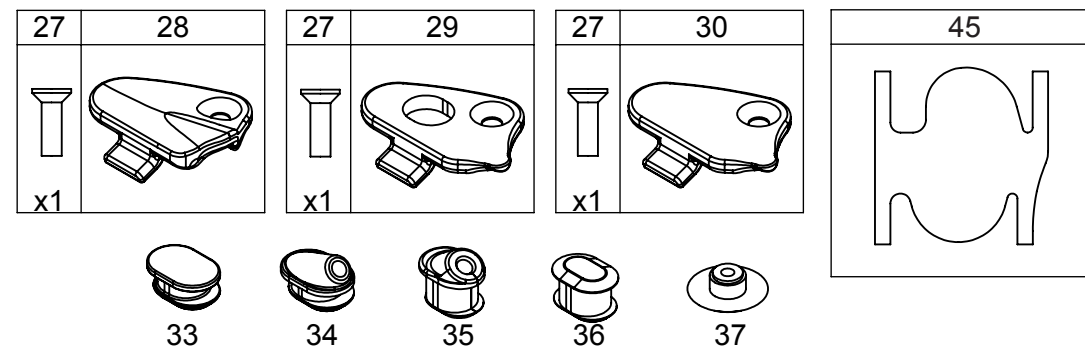
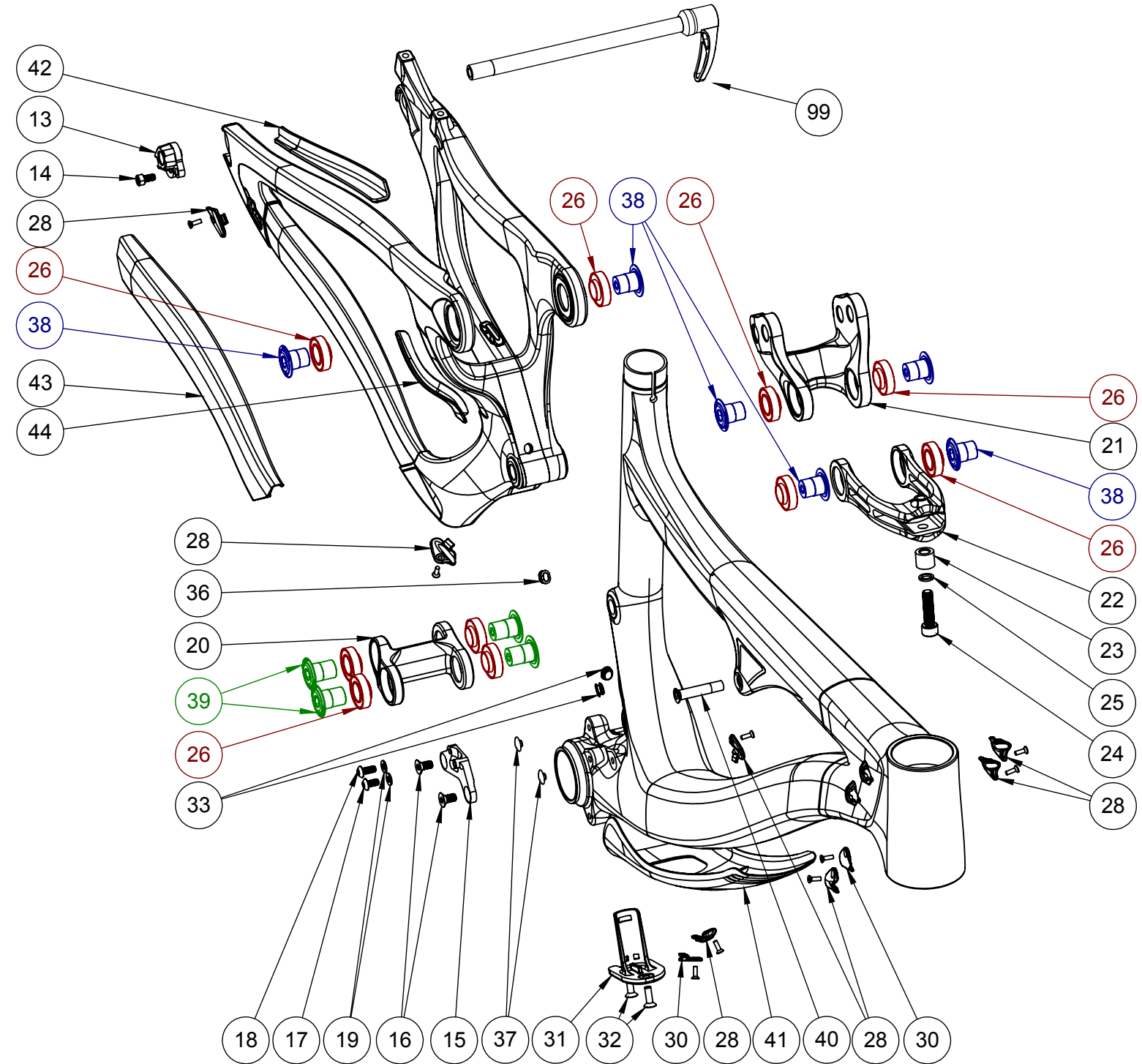


FIREBIRD CARBON

NUMBER	PART NAME	DESCRIPTION	Torque	*
13	FP-RDH-TA-12MM-BLK-V3	Rear Derailleur Hanger 12mm TA		
14	FP-SCW-SCK-M5*10	M5x10 Rear Derailleur Hanger Screw	7 Nm (5 lb-ft)	○
15	FP-FDM-ETYPE-V2-R1	E-type FD Mount Adapter		
16	FP-SCW-FLT-M6*12	M6x12 E-type FD Mount Adapter Screw	10 Nm (7 lb-ft)	□
17	FP-SCW-BTN-M5*10	M5x10 E-type FD Mounting Screw	3 Nm (26 in-lb)	□
18	FP-SCW-BTN-M5*12	M5x12 E-type FD Mounting Screw	3 Nm (26 in-lb)	□
19	FP-WSH-5I*100*1W	M5 E-type FD Mounting Washers		
20	FP-LNK-LL-BLK-V4-R1	34mm Out-to-Out Lower Link V2		
21	FP-LNK-UL-57MM-V3-R1	57mm Upper Link V3		
22	FP-CLV-104MM-V1-R1	104mm Clevis		
23	FP-PIN-CLV-M8*150-BLK-R2	M8 Clevis Shock Adapter Pin		○
24	FP-SCW-SCK-M8*30-R1	M8x30 Clevis Screw	28 Nm (21 lb-ft)	●
25	FP-WSH-8I*120*1W	Clevis Screw Washer		
26	FP-BRG-6902-LLUMAXECN	28mm 6902 Ext'd Bearing	**	
27	FP-SCW-FLT-M3*10	M3x10 Cable Clamp Screw (Included w/ Clamp)		
28	FP-CLM-MECH-FRM-V1	Internal Routing Cable Clamp		
29	FP-CLM-DI2-FRM-V1	Internal Routing Di2 Clamp		
30	FP-CVR-MECH-FRM-V2	Internal Routing Hole Cover		
31	FP-CVR-DI2-DT-V1	Di2 Downtube Battery Holder		
32	FP-SCW-FLT-M5*16	M5x16 Di2 DT Battery Cover Screws		
33	FP-PLG-DI2-7*8*2.5	7x8mm Di2 Plug		
34	FP-GDE-DI2-7*8*2.5*2.5	7x8mm Di2 Wire Guide		
35	FP-GDE-DI2-7*8*5*2.5	7x8mm Di2 Wire Guide Ext'd		
36	FP-PLG-DI2-7*8*5	7x8mm Di2 Plug Ext'd		
37	FP-PLG-MNT-6MM	6mm Plug for E-type FDM		
38	FP-BLT-M14*17-BLK	M14x17 Upper Link Bolt	35 Nm (27 lb-ft)	□
39	FP-BLT-M14*20-BLK-V2	M14x20 Lower Link Bolt	35 Nm (27 lb-ft)	□
40	FP-BLT-M8*38-BLK	M8x38 Front Shock Bolt	13 Nm (10 lb-ft)	●
41	FP-PRO-FBC275-DT-V1-R1	Firebird Carbon Downtube Protector		
42	FP-PRO-FBC275-SS-V2-R1	Firebird Carbon Seatstay Protector		
43	FP-PRO-FBC275-CS-V2-R1	FirebirdCarbon Chainstay Protector		
44	FP-PRO-FBC275-UR-V2-R1	Firebird Carbon Upright Protector		
45	FP-PRO-34MM-LL-V1-R1	34mm Lower Link Protector		
99	148MM THROUGH AXLE	148x12mm RWS Thru Axle		○



** See Bearing Assembly Procedure located in the tech specs section at www.pivotcycles.com

* ○ = grease ● = anti-seize ● = anti-seize or grease □ = loctite 243