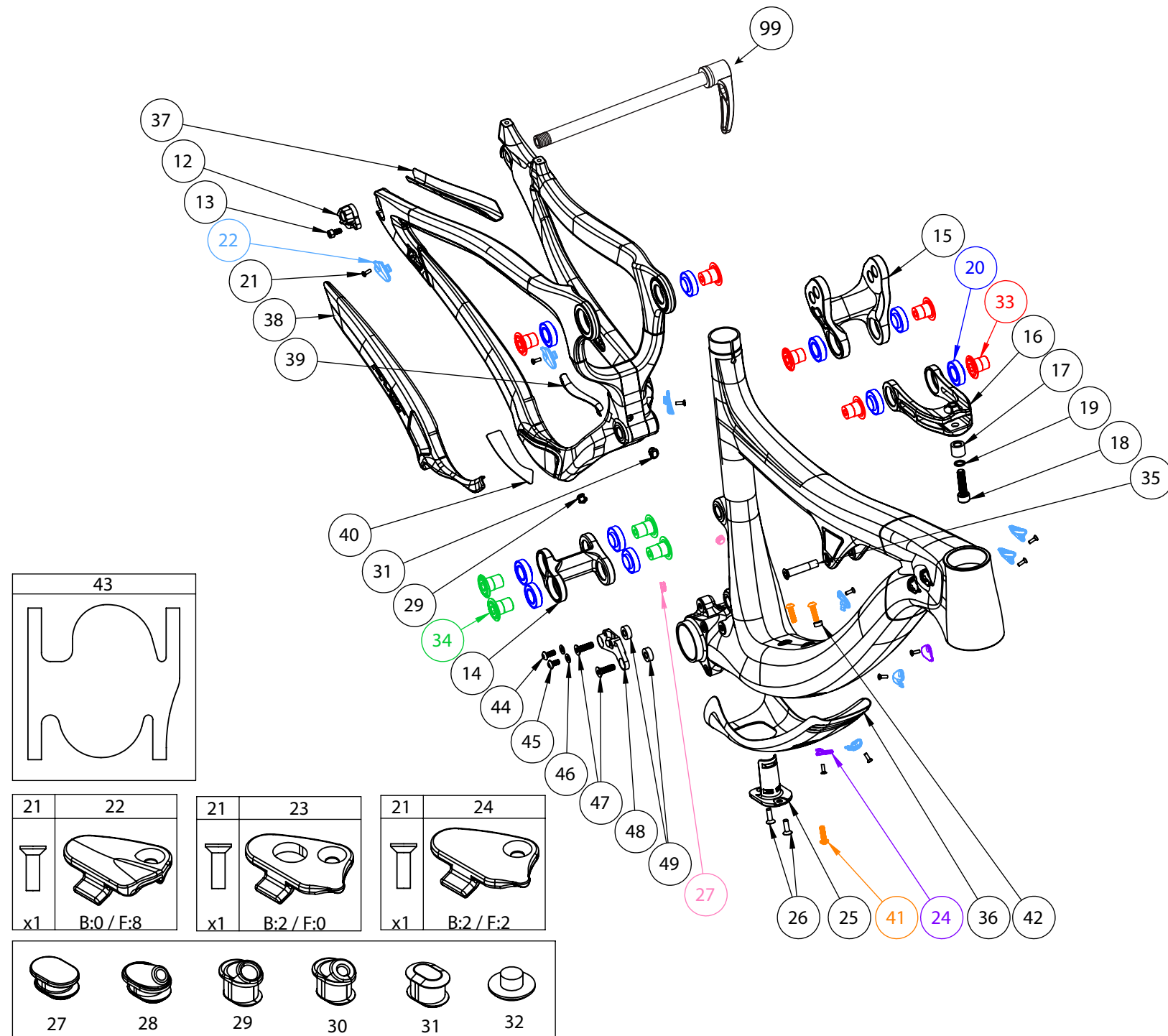


SWITCHBLADE CARBON

| NUMBER | PART NAME | DESCRIPTION | Torque | * |
|--------|--------------------------|---|------------------|---|
| 12 | FP-RDH-TA-12MM-BLK-V3 | Rear Derailleur Hanger 12mm TA | | |
| 13 | FP-SCW-SCK-M5*10 | M5x10 Rear Derailleur Hanger Screw | 7 Nm (5 lb-ft) | ○ |
| 14 | FP-LNK-LL-BLK-V4-R1 | 34mm Out-to-Out Lower Link V2 (+6mm Front Width) | | |
| 15 | FP-LNK-UL-67MM-BLK-V1-R1 | 67mm Upper Link | | |
| 16 | FP-CLV-94MM-V2-R1 | 94mm Clevis | | |
| 17 | FP-PIN-CLV-M8*150-BLK-R2 | M8 Clevis Shock Adapter Pin | | ○ |
| 18 | FP-SCW-SCK-M8*30-R1 | M8x30 Clevis Screw | 28 Nm (21 lb-ft) | ● |
| 19 | FP-WSH-81*120*1W | M8 Shock Bolt Washer (For Clevis Screw) | | |
| 20 | FP-BRG-6902-LLUMAXECN | 28mm 6902 Ext'd Max-E Bearing | | |
| 21 | FP-SCW-FLT-M3*10 | M3x10 Cable Clamp Screw (Included w/ Clamp) | ** | |
| 22 | FP-CLM-MECH-FRM-V1 | Internal Routing Cable Clamp | | |
| 23 | FP-CLM-DI2-FRM-V1 | Internal Routing Di2 Clamp | | |
| 24 | FP-CVR-MECH-FRM-V2 | Internal Routing Hole Cover | | |
| 25 | FP-CVR-DI2-DT-V1 | Di2 Downtube Battery Holder | | |
| 26 | FP-SCW-FLT-M5*16 | M5x16 Di2 DT Battery Cover Screws (Included with cover) | | |
| 27 | FP-PLG-DI2-7*8*2.5 | 7x8mm Di2 Plug | | |
| 28 | FP-GDE-DI2-7*8*2.5*2.5 | 7x8mm Di2 Wire Guide | | |
| 29 | FP-GDE-DI2-7*8*5*3.9 | 7x8mm Cable Guide Ext'd | | |
| 30 | FP-GDE-DI2-7*8*5*2.5 | 7x8mm Di2 Wire Guide Ext'd | | |
| 31 | FP-PLG-DI2-7*8*5 | 7x8mm Di2 Plug Ext'd | | |
| 32 | FP-PLG-MNT-6MM | 6mm Plug for E-type FDM for 1x setup | | |
| 33 | FP-BLT-M14*17-BLK | M14x17 Upper Link Bolt | 35 Nm (27 lb-ft) | □ |
| 34 | FP-BLT-M14*20-BLK-V2 | M14x20 Lower Link Bolt | 35 Nm (27 lb-ft) | □ |
| 35 | FP-BLT-M8*38-BLK | M8x38 Front Shock Bolt | 13 Nm (10 lb-ft) | ● |
| 36 | FP-PRO-SBC-DT-S-XL-V1-R1 | Switchblade Downtube Protector (For Sizes: S-XL) | | |
| 36 | FP-PRO-SBC-DT-XS-V1-R1 | Switchblade Downtube Protector (For Size: XS) | | |
| 37 | FP-PRO-SBC-SS-V2-R1 | Switchblade Pour-molded Seatstay Protector | | |
| 38 | FP-PRO-SBC-CS-V3-R1 | Switchblade Chainstay Protector w/ Clearance Window | | |
| 39 | FP-PRO-SBC-UR-V2-R1 | Switchblade Pour-molded Upright Protector | | |
| 40 | FP-PRO-SBC-RT-V1-R1 | Switchblade Chainslap Silicone Protector | | |
| 41 | PIVOT WB BOLTS V2 | M5x0.8x18 Zinc Plated Steel Water Bottle Bolts | | |
| 42 | PIVOT WB BOLT SPACER | M5 Water Bottle Bolt Spacer | | |
| 43 | FP-PRO-34MM-LL-V1-R1 | 34mm Lower Link Protector | | |
| 44 | FP-SCW-BTN-M5*12 | M5x12 E-type FD Mounting Screw | 3 Nm (26 in-lb) | □ |
| 45 | FP-SCW-BTN-M5*10 | M5x10 E-type FD Mounting Screw | 3 Nm (26 in-lb) | □ |
| 46 | FP-WSH-51*100*1W | M5 E-type FD Mounting Washers | | |
| 47 | FP-SCW-FLT-M6*20 | M6x20 E-type FD Mount Adapter Screw | 10 Nm (7 lb-ft) | □ |
| 48 | FP-FDM-ETYPE-V2-R1 | E-type FD Mount Adapter | | |
| 49 | FP-WSH-SPC-M6*5.5 | M6x5.5 Spacer | | |
| 99 | DT SWISS 157 RWS | 157X12mm RWS Thru Axle | | ○ |

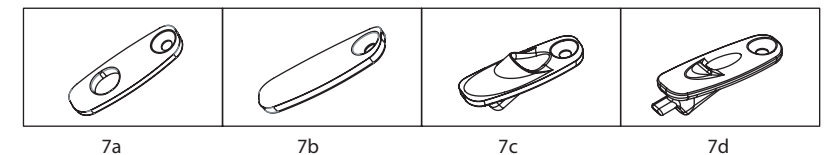
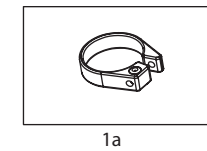
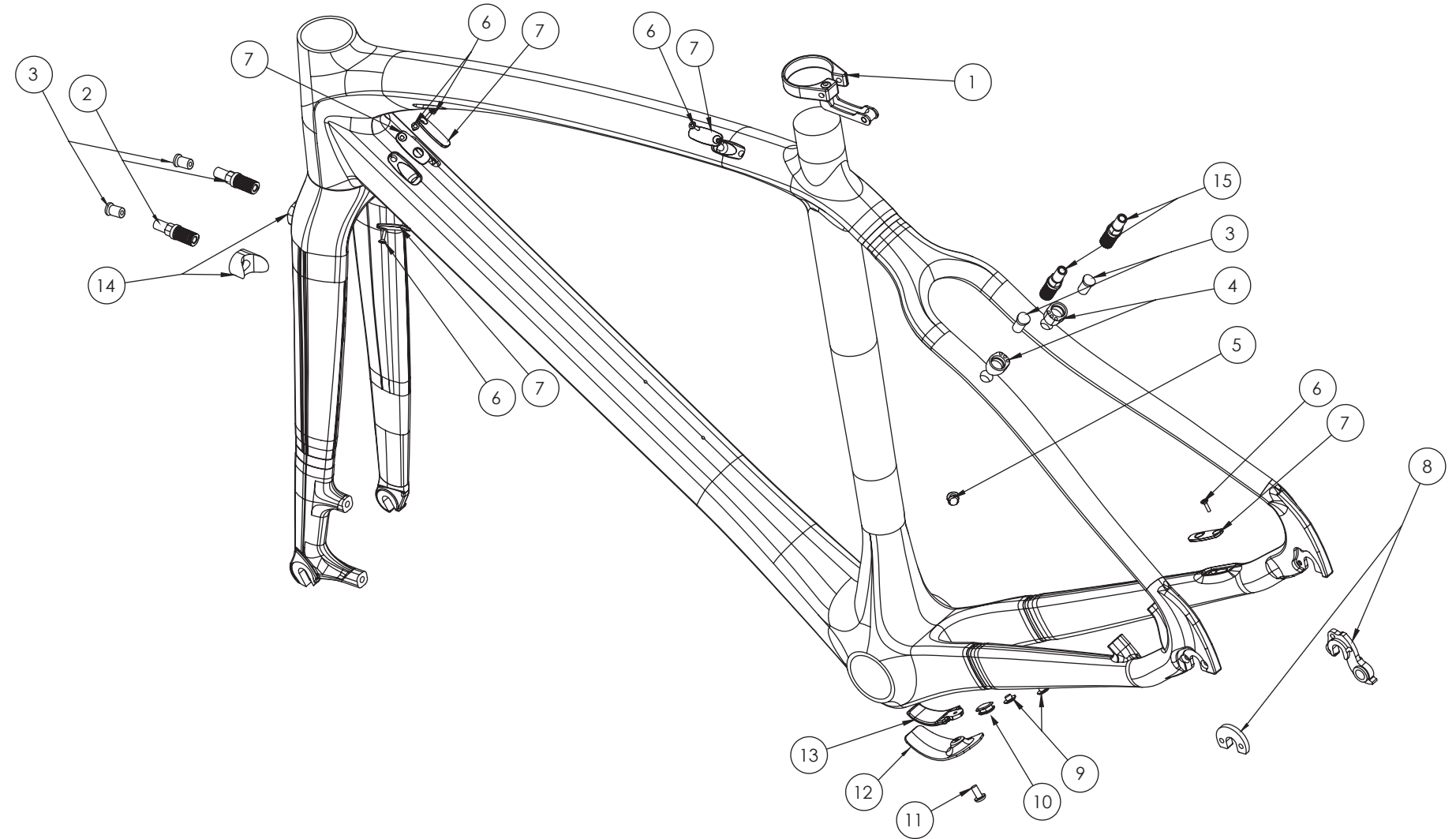


** See Bearing Assembly Procedure located in the tech specs section at www.pivotcycles.com

* ○ = grease ● = anti-seize ● = anti-seize or grease □ = loctite 243

VAULT

| NUMBER | PART NAME | DESCRIPTION |
|----------|------------------------|--|
| 1 | FP-CLM-SP-34.9MM-V2 | CLAMP SEATPOST 34.9MM W/ HANGER |
| 1A | FP-CLM-SP-34.9MM-V1 | CLAMP SEATPOST 34.9MM W/O HANGER |
| 2 | FP-BRP-POST-41MM-FRNT | FRONT 41MM BRAKE POST |
| 3 | FP-PLG-BRP-9MM | PLUG BRAKE POST 9MM |
| 4 | FP-BRP-BASE-FRAME-BASE | BRAKE POST BASE FRAME V1 |
| 5 | FP-PLG-DI2-7*8*2.5 | PLUG DI2 7X8X2.5 |
| 6 | FP-SCW-FLT-M3*10 | SCW FLAT 3X10 |
| 7A | FP-CVR-DI2-FRM-V1 | COVER DI2 FRAME V1 |
| 7B | FP-CVR-MECH-FRM-V1 | COVER MECHANICAL FRAME V1 |
| 7C | FP-STP-BRK-V1 | STOP BRAKE V1 |
| 7D | FP-STP-SHFT-V2 | STOP SHIFTER V2 |
| 8 (130) | FP-RDH-SET-9MM-SIL-V1 | REAR DERAILLEUR HANGER SET 9MM SILVER VER1 |
| 8 (135) | FP-RDH-SET-9MM-SIL-V2 | REAR DERAILLEUR HANGER SET 9MM SILVER VER2 |
| 9 | FP-PLG-MNT-5MM | PLUG MOUNT 5MM |
| 10 | FP-GDE-DI2-7.7*14*2.5 | GUIDE DI2 7.7X14X2.5 |
| 11 | FP-SCW-BTN-M5*10 | SCREW BUTTON 5X10 |
| 12 | FP-CVR-MECH-BB-V1 | COVER MECHANICAL BOTTOM BRACKET VER1 |
| 13 | FP-GDE-MECH-BB-V2 | GUIDE MECHANICAL BOTTOM BRACKET V2 |
| 14 (DS) | FP-BRP-BASE-BOSS-DS | FORK DS BRAKE BOSS BASE V1 |
| 14 (NDS) | FP-BRP-BASE-BOSS-NDS | FORK NDS BRAKE BOSS BASE V1 |
| 15 | FP-BRP-POST-39MM-REAR | REAR 39MM BRAKE POST |



* ○ = grease ● = anti-seize ⊙ = anti-seize or grease □ = loctite 243