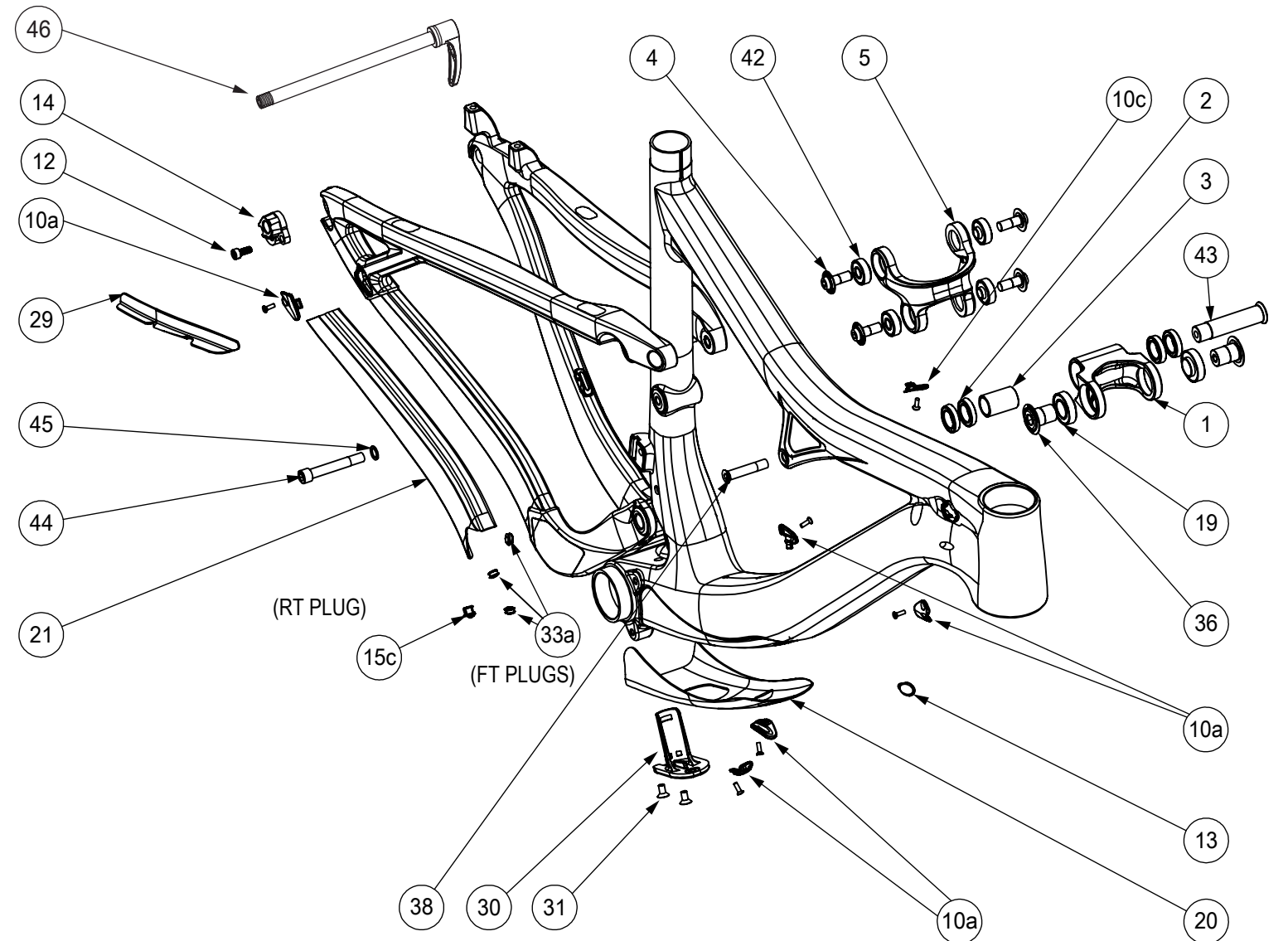
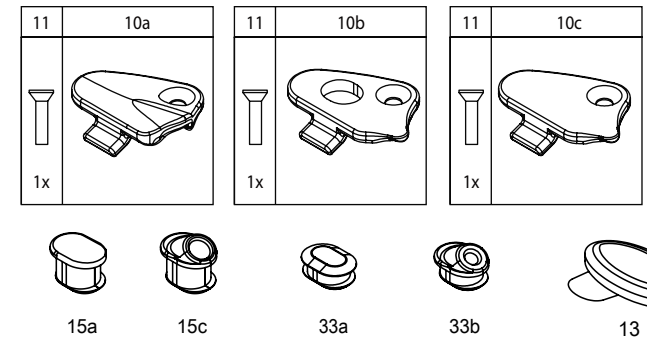


**MACH 429 C SL**

NUMBER	PART NAME	DESCRIPTION	Torque	*
1	FP-LNK-LL-BLK-V2-R1	LINK LOWER BLACK VER2 REV1		
2	FP-BRG-6802-LLBMAX	6802 LLB MAX		
3	FP-SLV-LL-25MM	SLEEVE LOWER LINK 25MM		
4	FP-BLT-M8*20-BLK	BOLT 8X20 BLACK	13 Nm (10 lb-ft)	●
5	FP-LNK-UL-50MM-V2-R2	LINK UPPER 50MM VER2 REV2		
10a	FP-CLM-MECH-FRM-V1	CLAMP MECHANICAL FRAME		
10b	FP-CLM-DI2-FRM-V1	CLAMP DI2 FRAME		
10c	FP-CVR-MECH-FRM-V2	COVER MECHANICAL FRAME V2		
11	FP-SCW-FLT-M3*10	SCW FLAT 3X10		□
12	FP-SCW-SCK-M5*10	SCREW SOCKET 5X10	7 Nm (5 lb-ft)	
13	FP-PLG-MECH-5.5MM	PLUG MECHANICAL 5.5MM		
14	FP-RDH-TA-12MM-BLK-V1	REAR DERAILLEUR HANGER THROUGH AXLE 12MM BLACK V1		
15a	FP-PLG-DI2-7*8*5	PLUG DI2 7X8X2.5		
15c	FP-GDE-DI2-7*8*5*2.5	GUIDE DI2 7X8X2.5X2.5		
19	FP-BRG-6902-LLUMAXECN	6902 LLU MAX-E CN		
20a	FP-PRO-429CSLV2-DT-M-V2-R1	MACH 429 CBN DT GUARD MEDIUM V2		
20b	FP-PRO-429CSLV2-DT-SM-V2-R1	MACH 429 CBN DT GUARD SMALL V2		
20c	FP-PRO-429CSLV2-DT-L-V2-R1	MACH 429 CBN DT GUARD LARGE V2		
20d	FP-PRO-429CSLV2-DT-XL-V2-R1	MACH 429 CBN DT GUARD XLARGE V2		
21	FP-PRO-429C-CS-V1-R1	MACH 429 CBN CHAINSTAY GUARD		
29	FP-PRO-429C-SS-V1-R1	MACH 429 CBN SEATSTAY GUARD		
30	FP-CVR-DI2-DT-V1	COVER DI2 DOWNTUBE V1		
31	FP-SCW-FLT-M5*10	SCREW FLAT 5x10		
33a	FP-PLG-DI2-7*8*2.5	PLUG DI2 7X8X2.5		
33b	FP-GDE-DI2-7*8*2.5*2.5	GUIDE DI2 7X8X2.5X2.5		
36	FP-BLT-M14*20-BLK-V2	BOLT 14*20 BLACK V2	35 Nm (27 lb-ft)	□
38	FP-BLT-M8*38-BLK	BOLT 8X38 BLACK	13 Nm (10 lb-ft)	●
42	FP-BRG-608-LLUMAXE	608 LLU MAX-E		
43	FP-BLT-M14*66-BLK	BOLT 14X66 BLACK	35 Nm (27 lb-ft)	●
44	FP-BLT-M8*55-BLK	BOLT 8X55 BLACK	13 Nm (10 lb-ft)	●
45	FP-WSH-8I*120*1W	WASHER 8I X 120 X 1W		
46	DT SWISS 142 RWS	DT SWISS 142 RWS		



\* ○ = grease ● = anti-seize ◐ = anti-seize or grease □ = loctite 243