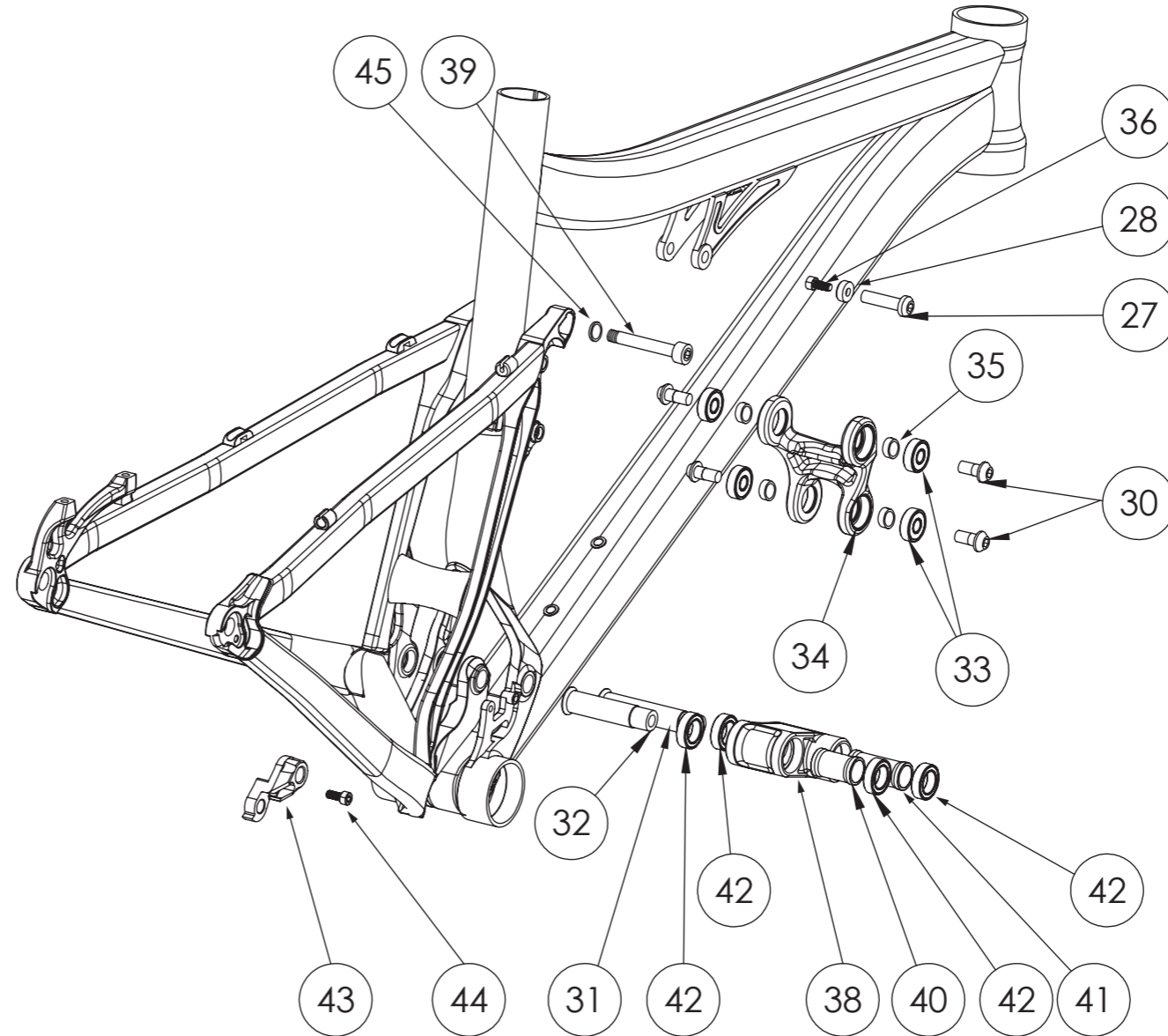


NUMBER	PART NAME	Torque	*
27	FP-PIN-SHK-M5*80-RED		●
28	FP-WSH-51*140*5W-RED		
30	FP-BLT-M8*20-RED	13 Nm (10 lb-ft)	□
31	FP-BLT-M14*76-RED	35 Nm (27 lb-ft)	●
32	FP-BLT-M14*65-RED	35 Nm (27 lb-ft)	●
33	FP-BRG-608-LLBMAX		
34	FP-LNK-UL-60MM-V2		
35	FP-WSH-UL-3MM-BLK		
36	FP-SCW-SCK-M5*12	7 Nm (5 lb-ft)	□
38	FP-LNK-LL-RED-V1-R2		
39	FP-BLT-M8*55-RED	13 Nm (10 lb-ft)	□
40	FP-SLV-LL-31MM		
41	FP-SLV-LL-42MM		
42	FP-BRG-3802-LLBMAXSP		
43	FP-RDH-TA-12MM-BLK-V1		
44	FP-SCW-SCK-M5*10	7 Nm (5 lb-ft)	□
45	FP-WSH-81*120*1W		

SMALL PARTS SCHEMATIC

MACH 429 A



* ○ = grease ● = anti-seize ◉ = anti-seize or grease □ = loctite 243