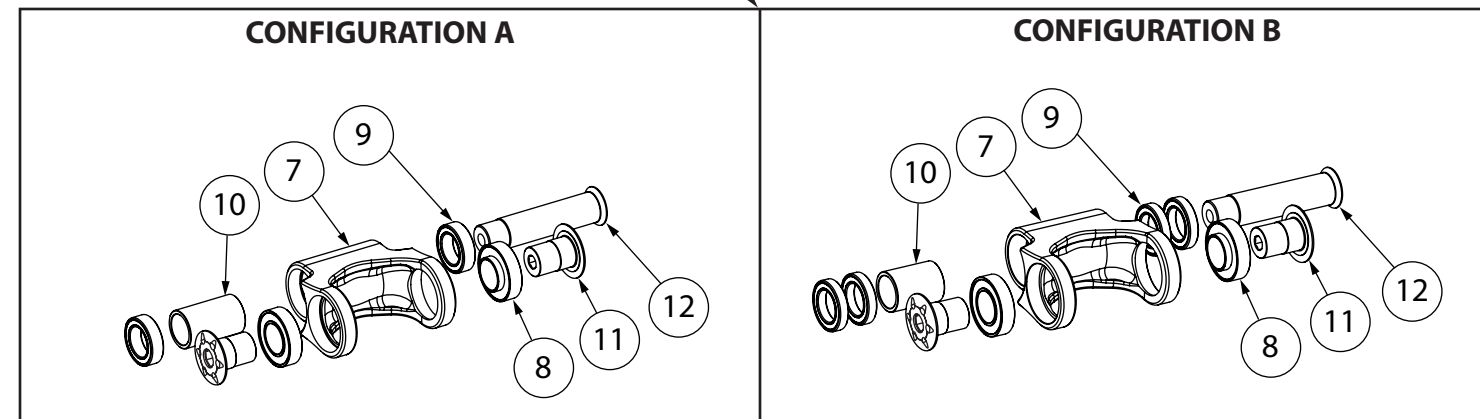
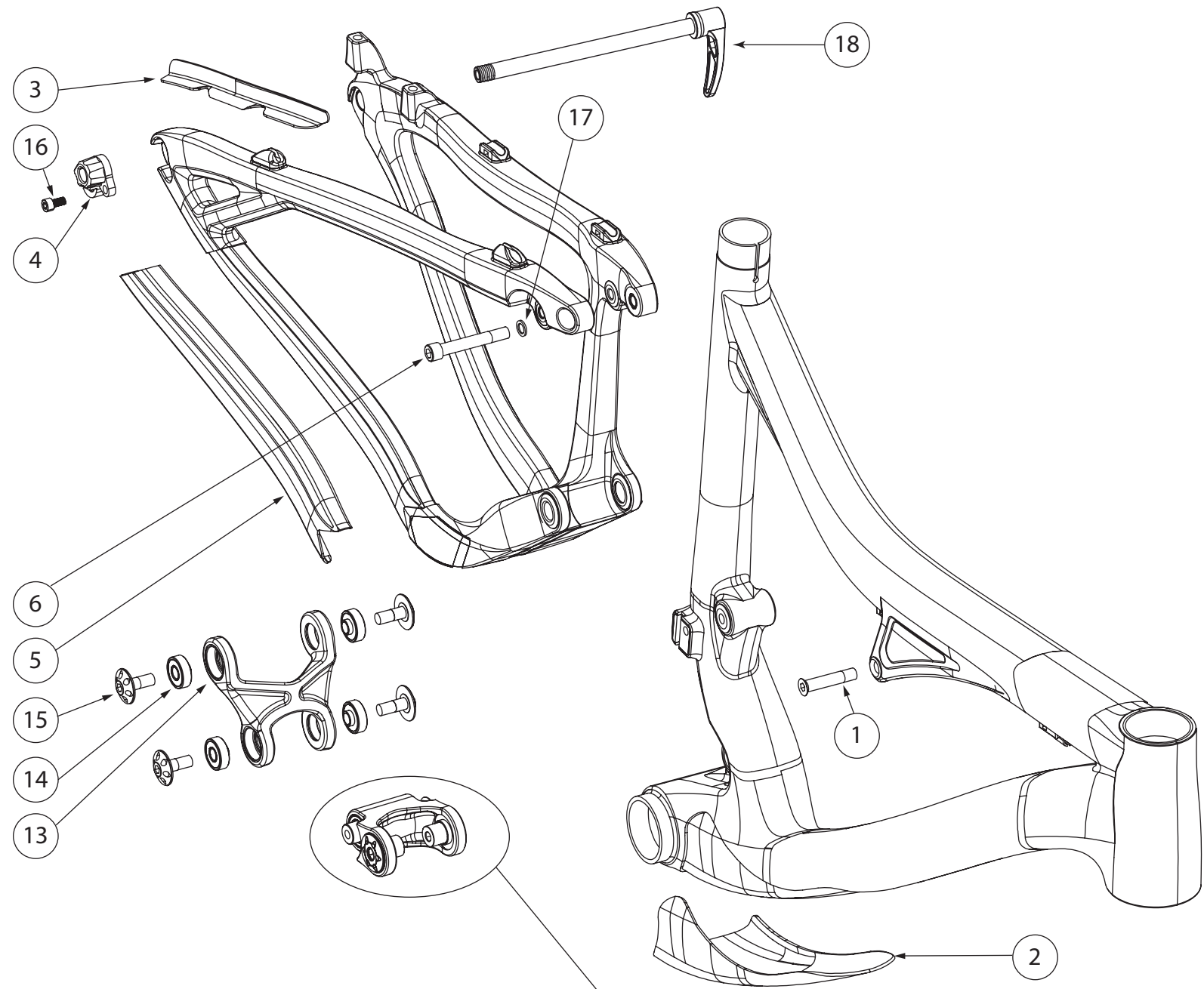


MACH 5.7 CARBON

NUMBER	PART NAME	DESCRIPTION	Torque	*
1	FP-BLT-M8*38-BLU	BOLT 8X38 BLUE	13 Nm (10 lb-ft)	●
2	MACH CARBON DOWNTUBE GUARD	MACH 5.7 CARBON DOWNTUBE GUARD		
3	MACH CARBON SEATSTAY GUARD	MACH 5.7 CARBON SEATSTAY GUARD		
4	FP-RDH-TA-12MM-BLK-V1	REAR DERAILLEUR HANGER THROUGH AXLE 12MM BLACK V1		
5	MACH CARBON CHAINSTAY GUARD	MACH 5.7 CARBON CHAINSTAY GUARD		
6	FP-BLT-M8*55-BLU	BOLT 8X55 BLUE	13 Nm (10 lb-ft)	●
7a	FP-LNK-LL-ALM-610	34MM LOWER LINK		
8a	FP-BRG-6902-LLUMAXECN	6902 LLU MAX-E CN		
9a	FP-BRG-3802-LLBMAXSP	3802 LLB MAX		
10a	FP-SLV-LL-31MM	SLEEVE LOWER LINK 31MM		
11a	FP-BLT-M14*20-BLU	BOLT 14X20 BLUE	35 Nm (27 lb-ft)	□
12a	FP-BLT-M14*66-BLU	BOLT 14X66 BLUE	35 Nm (27 lb-ft)	●
7b	FP-LNK-LL-BLU-V2-R1	LINK LOWER BLU VER2 R1		
8b	FP-BRG-6902-LLUMAXECN	6902 LLU MAX-E CN		
9b	FP-BRG-6802-LLBMAX	6802 LLB MAX		
10b	FP-SLV-LL-25MM	SLEEVE LOWER LINK 25MM		
11b	FP-BLT-M14*20-BLU	BOLT 14X20 BLUE	35 Nm (27 lb-ft)	□
12b	FP-BLT-M14*66-BLU	BOLT 14X66 BLUE	35 Nm (27 lb-ft)	●
13	FP-LNK-UL-60MM-V3-R1	LINK UPPER 60MM VER3 REV1		
14	FP-BRG-608-LLUMAXE	608 LLU MAX-E		
15	FP-BLT-M8*20-BLU	BOLT 8X20 BLUE	13 Nm (10 lb-ft)	●
16	FP-SCW-SCK-M5*10	SCREW SOCKET 5X10	7 Nm (5 lb-ft)	□
17	FP-WSH-81*120*1W	WASHER 81 X 120 X 1W		
18	DT SWISS 142 RWS	DT SWISS 142 RWS		



* ○ = grease ● = anti-seize ● = anti-seize or grease □ = loctite 243