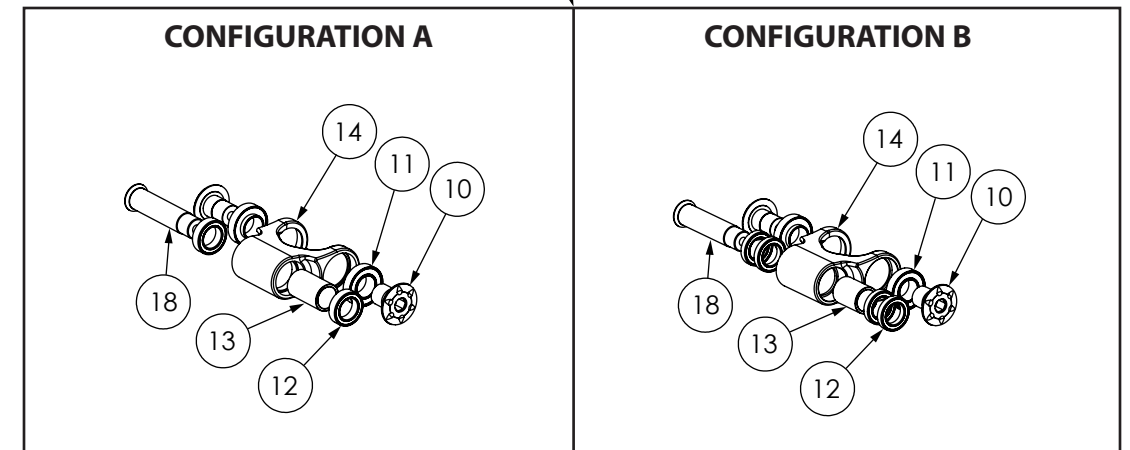
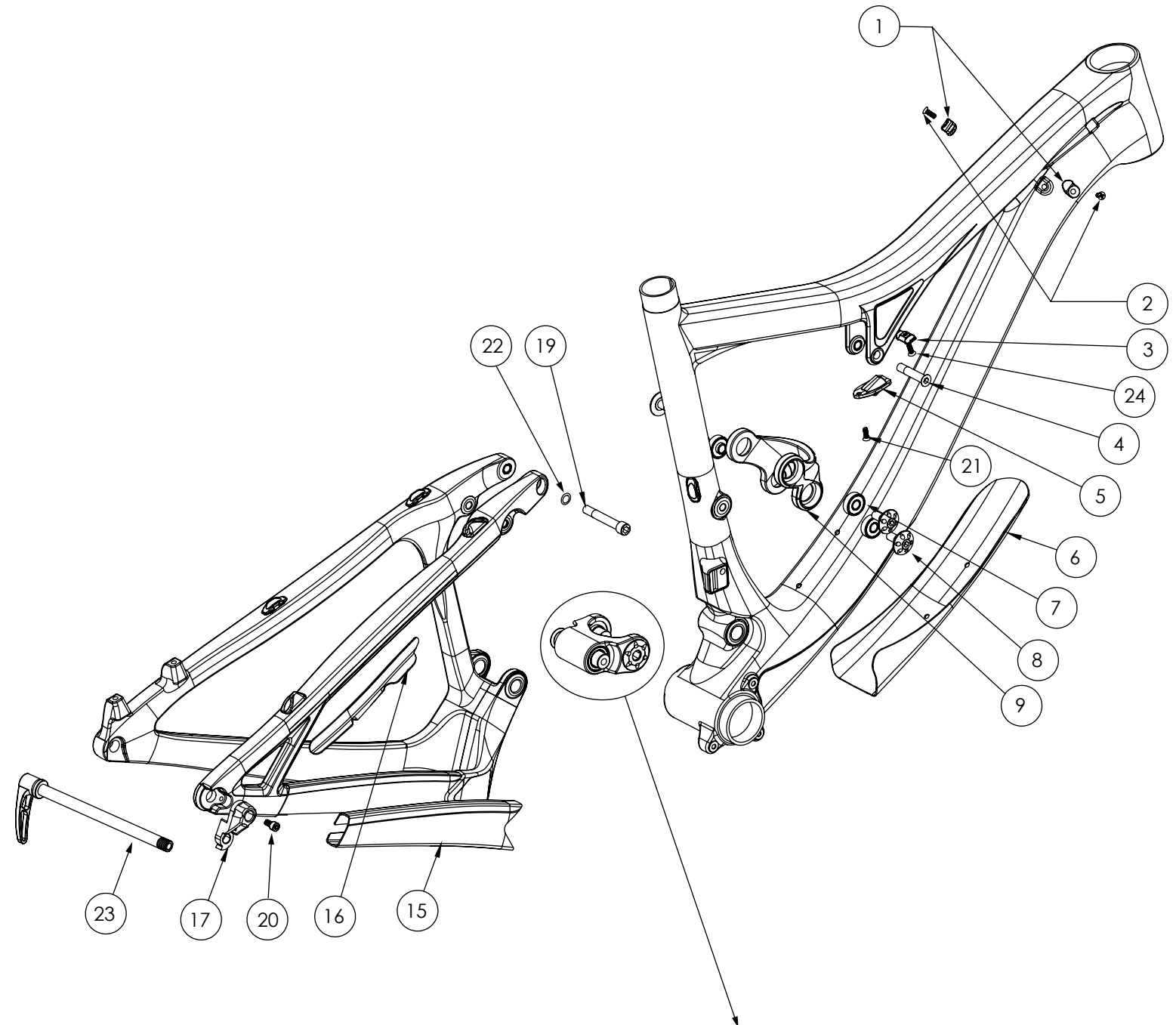


MACH 429 CARBON

NUMBER	PART NAME	DESCRIPTION	Torque	*
1	FP-CLM-MECH-HT-V1	CLAMP MECHANICAL HEADTUBE		
2	FP-SCW-FLT-M5*10	M5X10 FLAT HEAD BOLT		
3	FP-CLM-MECH-TT-V1	CLAMP MECHANICAL TOPTUBE		
4	FP-BLT-M8*38-BLK	BOLT 8X38 BLACK	13 Nm (10 lb-ft)	●
5	FP-STP-SHFT-V1	STOP SHIFTER V1		
6	MACH 429 CBN DOWNTUBE GUARD	MACH 429 CBN DOWNTUBE GUARD		
7	FP-BRG-608-LLUMAXE	608 LLU MAX-E		
8	FP-BLT-M8*20-BLK	BOLT 8X20 BLACK	13 Nm (10 lb-ft)	●
9	FP-LNK-UL-50MM-V2-R2	LINK UPPER 50MM VER2 REV2		
10a	FP-BLT-M14*20-BLK-V2	BOLT 14*20 BLACK V2	35 Nm (27 lb-ft)	□
11a	FP-BRG-6902-LLUMAXECN	6902 LLU MAX-E CN		
12a	FP-BRG-3802-LLBMAXSP	3802 LLB MAX		
13a	FP-SLV-LL-31MM	SLEEVE LOWER LINK 31MM		
14a	FP-LNK-LL-ALM-610	34MM LOWER LINK		
10b	FP-BLT-M14*20-BLK-V2	BOLT 14*20 BLACK V2	35 Nm (27 lb-ft)	□
11b	FP-BRG-6902-LLUMAXECN	6902 LLU MAX-E CN		
12b	FP-BRG-6802-LLBMAX	6802 LLB MAX		
13b	FP-SLV-LL-25MM	SLEEVE LOWER LINK 25MM		
14b	FP-LNK-LL-BLU-V2-R1	LINK LOWER BLU VER2 R1		
15	MACH 429 CBN CHAINSTAY GUARD	MACH 429 CBN CHAINSTAY GUARD		
16	MACH 429 CBN SEATSTAY GUARD	MACH 429 CBN SEATSTAY GUARD		
17	FP-RDH-TA-12MM-BLK-V1	REAR DERAILLEUR HANGER THROUGH AXLE 12MM BLACK V1		
18a	FP-BLT-M14*66-BLK	BOLT 14X66 BLACK	35 Nm (27 lb-ft)	●
18b	FP-BLT-M14*66-BLK	BOLT 14X66 BLACK	35 Nm (27 lb-ft)	●
19	FP-BLT-M8*55-BLK	BOLT 8X55 BLACK	13 Nm (10 lb-ft)	●
20	FP-SCW-SCK-M5*10	SCREW SOCKET 5X10	7 Nm (5 lb-ft)	□
21	FP-SCW-FLT-M4*12	SCREW FLAT 4X12		
22	FP-WSH-8I*120*1W	WASHER 8I X 120 X 1W		
23	DT SWISS 142 RWS	DT SWISS 142 RWS		
24	FP-SCW-FLT-M5*16	M5x16 FLAT HEAD BOLT		



* ○ = grease ● = anti-seize ◐ = anti-seize or grease □ = loctite 243