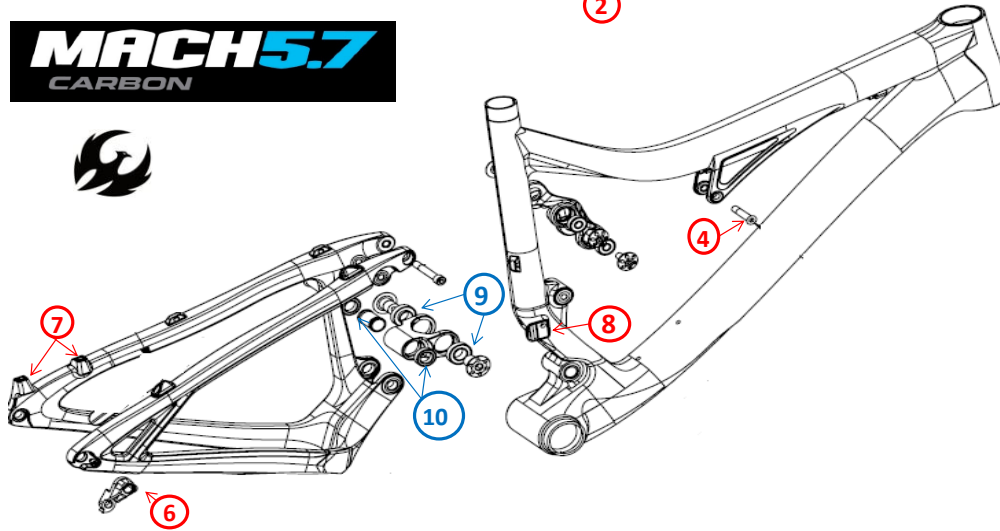


**MACH5.7**  
CARBON



Item No.	Qty	Torque setting	Size	Description
1	4	10 lb.ft, 120 lb.in, 13 Nm	M8 x 20mm	Rocker bolts Anti-seize
2	2	27 lb.ft, 306 lb.in, 35 Nm	M14 x 20mm	Link bolts Loc-tite 242 blue
3	1	27 lb.ft, 306 lb.in, 35 Nm	M14 x 66mm	Link pin Anti-seize
4	1	10 lb.ft, 120 lb.in, 13 Nm	M8 x 40mm	Front shock bolt Anti-seize
5	1	10 lb.ft, 120 lb.in, 13 Nm	M8 x 55mm	Long shock bolt rear Anti-seize
6	1	5 lb.ft, 60 lb.in, 7 Nm	M5 x 12mm	Der hanger bolt Loc-tite 242 blue
7	2	7 lb.ft, 88 lb.in, 10 Nm <b>Maximum</b>	M6	Brake post mount N/A
8	1	5 lb.ft, 60 lb.in, 7 Nm	M6	FD direct mount bolt N/A

Item No.	Qty	Application	Bearing Number
9	2	DW link bolt bearings	6902LLB
10	2	DW link pin bearings	3802-2RS
11	4	Carbon rocker bearings	608-2RS